




IMPACT eZ IMPACT PNEUMATIC

BENEFITS

 Touch & Mark

 Multipurpose

 Affordable



ACCESSORIES & OPTIONS DISPONIBLES



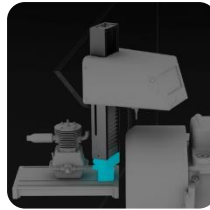
Rotary Device
RD1
RD2

Réf. 79254
79255



Kit magnetic
clamping +
plate holder

Réf. 79032



Rotatable riser
block
100 mm

Ref: 79034



LED lighting
*(optional for
impact)*

Réf. 79031



3D Stylus

Réf: 77021
Ref: 77022
Ref: 77023



Protective
bellows

Réf: 79261



Protective
boots

Réf. 79033



Kit anti-dust

Réf. 79262



Standard
footswitch

Réf. 52712



Industrial
footswitch

Réf. 52713



Control
panel

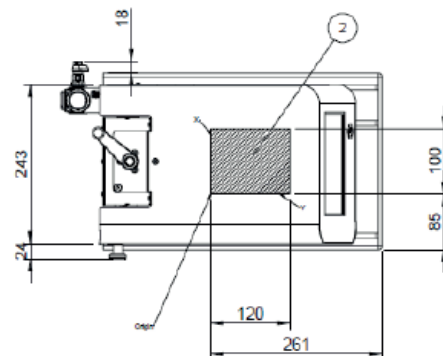
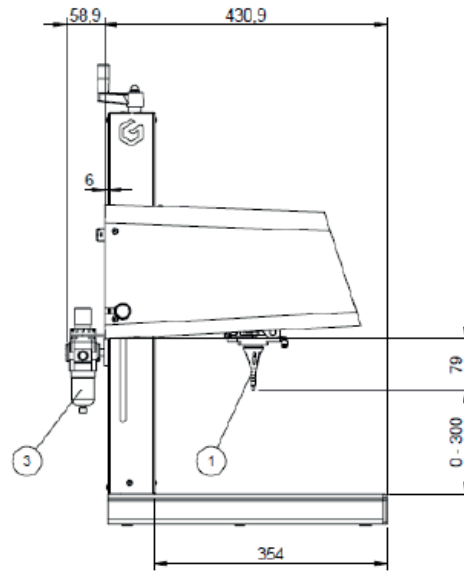
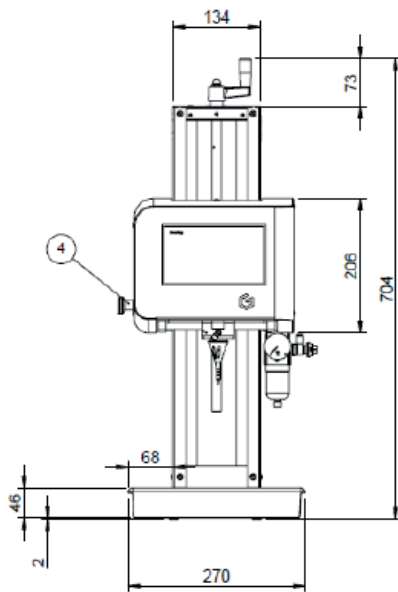
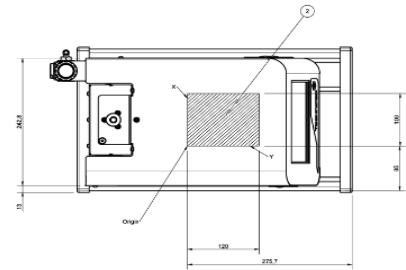
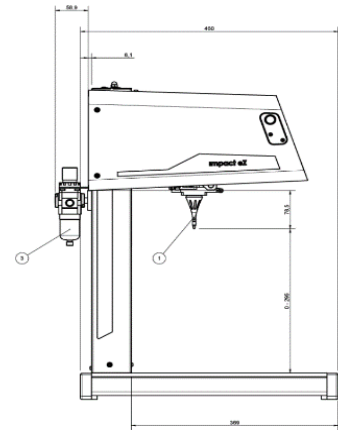
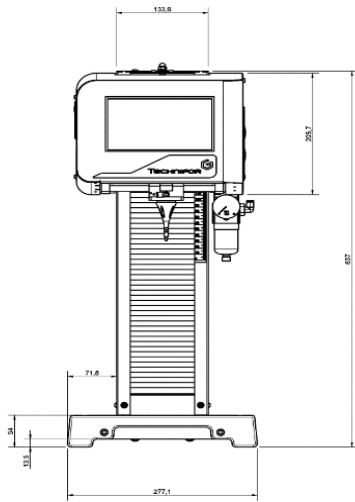
Réf. 52717



Marking
tools

Réf. Spare parts

| TECHNICAL SPECIFICATIONS | IMPACT eZ | IMPACT |
|----------------------------|---|--------|
| Technology | Pneumatic | |
| Electrical Supply | 100 - 240 VAC | |
| Power | 130 VA | |
| Power supply | 100 V AC / 240 V AC - 50/60 Hz | |
| Compressed air supply | Nominal Operating Pressure 1- 6 Bar (14.504-87.023 PSI) | |
| Operating temperature | 5 – 45 °C | |
| Operating mode | Independent or with PC | |
| MARKING SPECIFICATIONS | | |
| Marking field | 100 x 120 mm | |
| Maximum Displacement Speed | 300 mm / sec | |
| Height of Characters | From 0.5 to 99 mm | |
| Marking Possibilities | Fixed Text/variable ; Dates ; Counters ; Code 2D ; DataMatrix ; Logos | |
| Font | Continuous dot or dot per dot (with 3D stylus) | |
| INTERFACE | | |
| Connections | RS232 – USB – Ethernet TCP/IP – Dedicated Inputs/Ouputs | |
| Keyboard | External keyboard is optional | |
| Controlling | Software T08 included with a backlit screen | |
| PHYSICAL SPECIFICATIONS | | |
| Weight | 26 kg | |
| Column | Z-axis motorized-Path:300 mm | Manual |



1 Oxygène
2 Oxygène
3 Oxygène